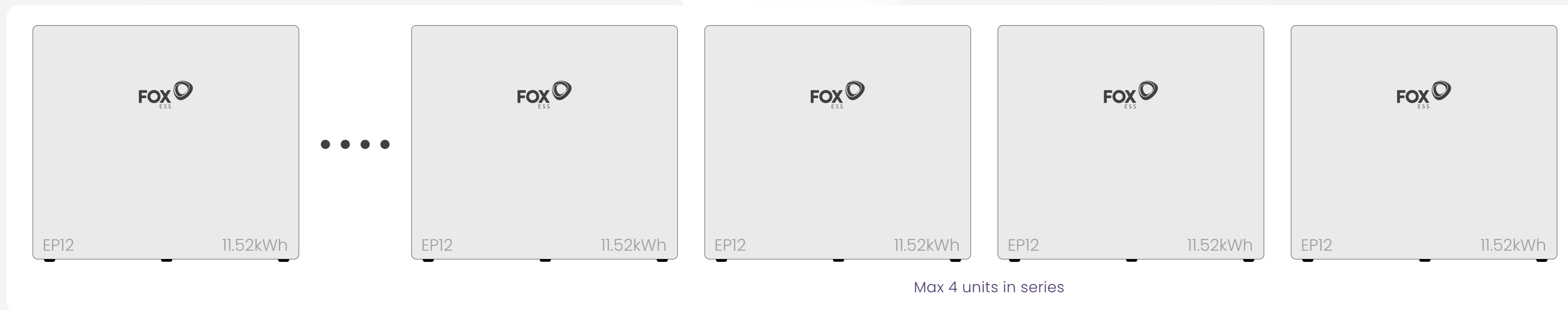


EP12

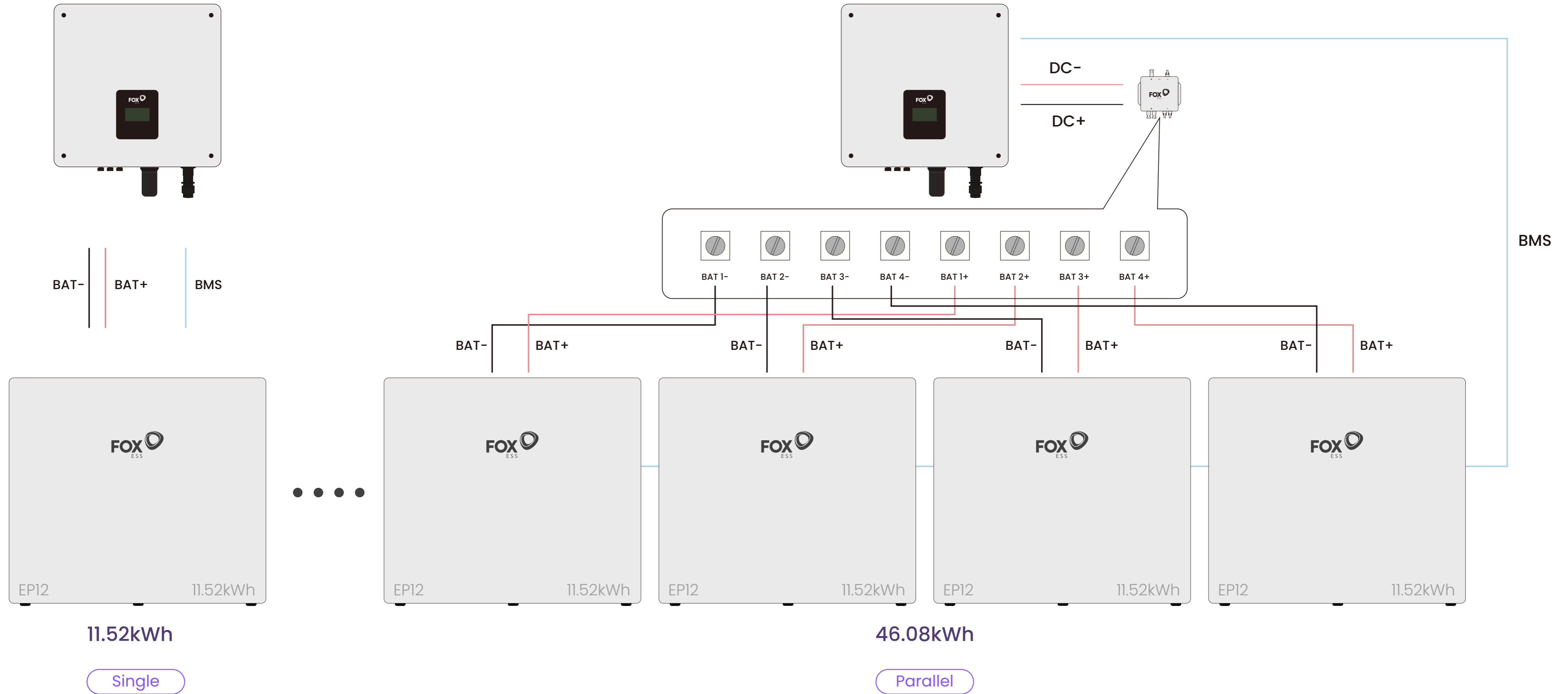
INVERTER COMPATIBILITY LIST



- IP65 rating for outdoor use, resistant to harsh weather.
- Built-in fire protection module, ensuring safety and reliability
- Built-in heating function for reliable winter operation (optional).
- Modular design for flexible capacity expansion.
- Premium LiFePO₄ cells and full aluminum die-cast housing for superior safety and reliability.
- Compatible with all FOX residential inverters

Series	EP12 (Battery Qty Min.-Max.)	Inverter
Single Phase System	EP12 - 4*EP12	H1
	EP12 - 4*EP12	KH
Three Phase System	EP12 - 4*EP12	H3 SMART
	[EP12 - 4*EP12] *2	H3 PRO

* EP12 is sold worldwide.

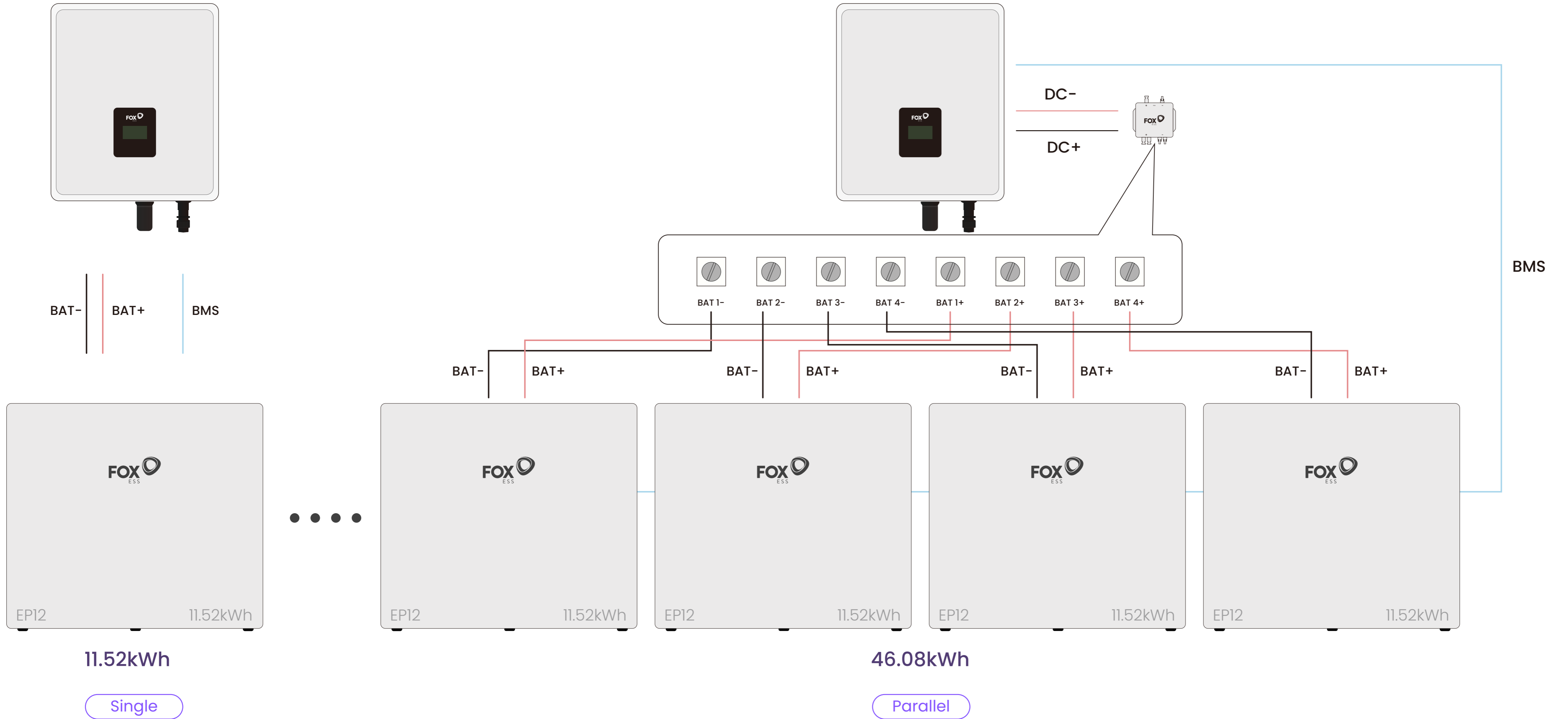


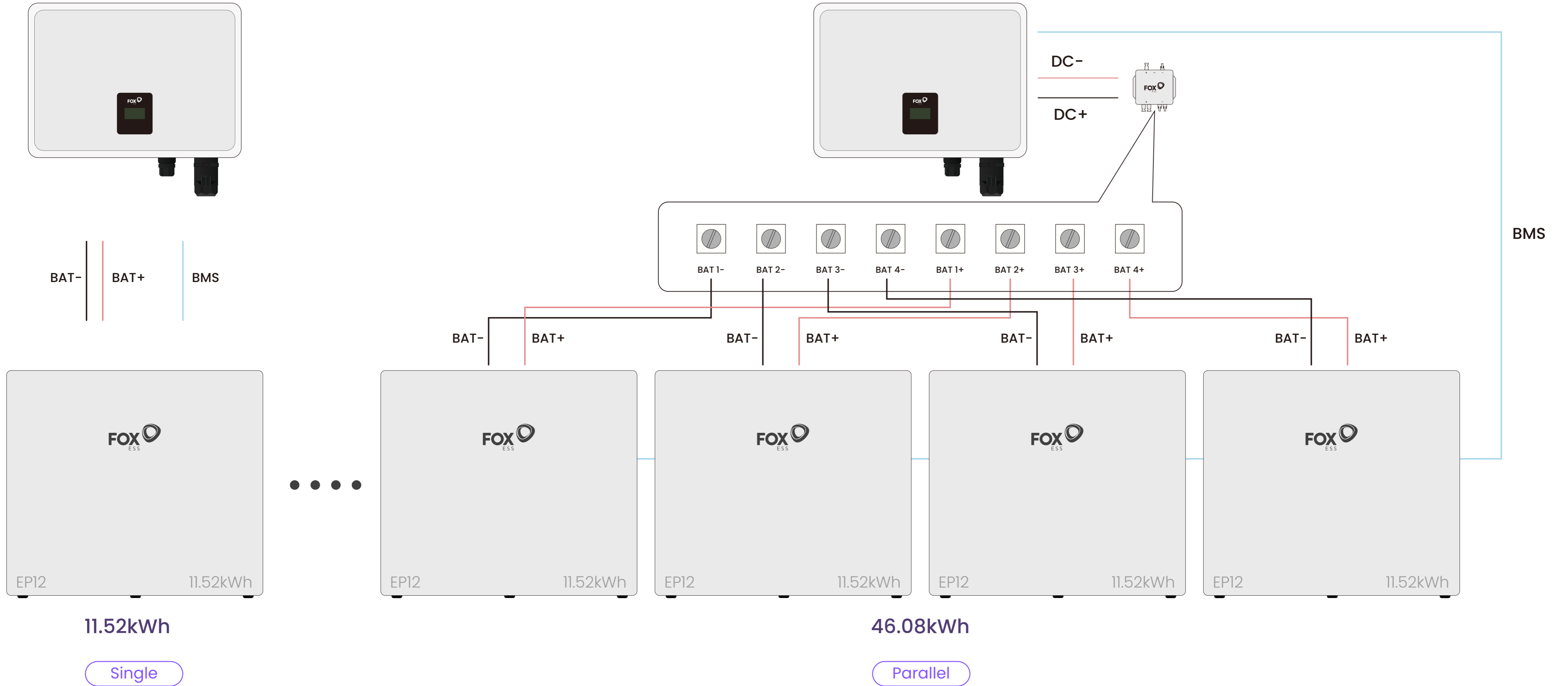
11.52kWh

Single

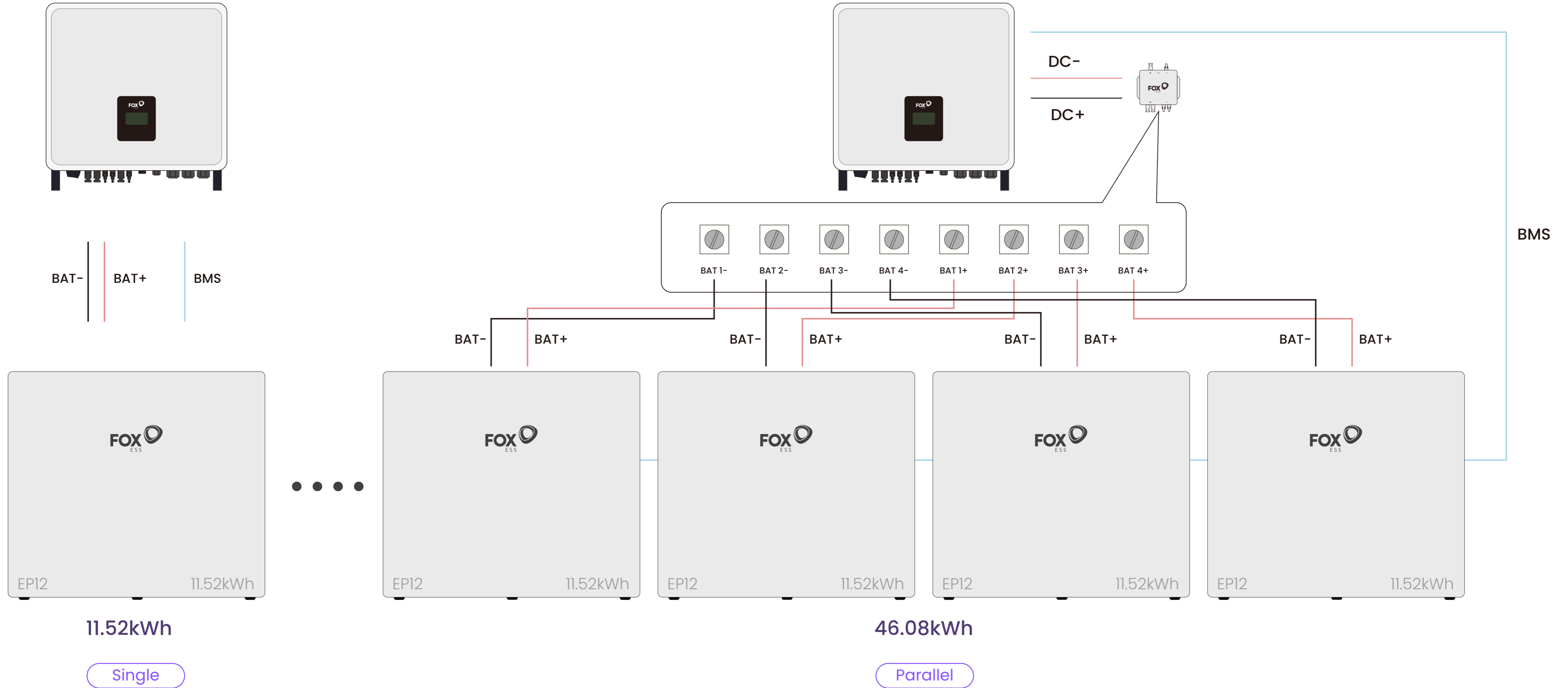
46.08kWh

Parallel

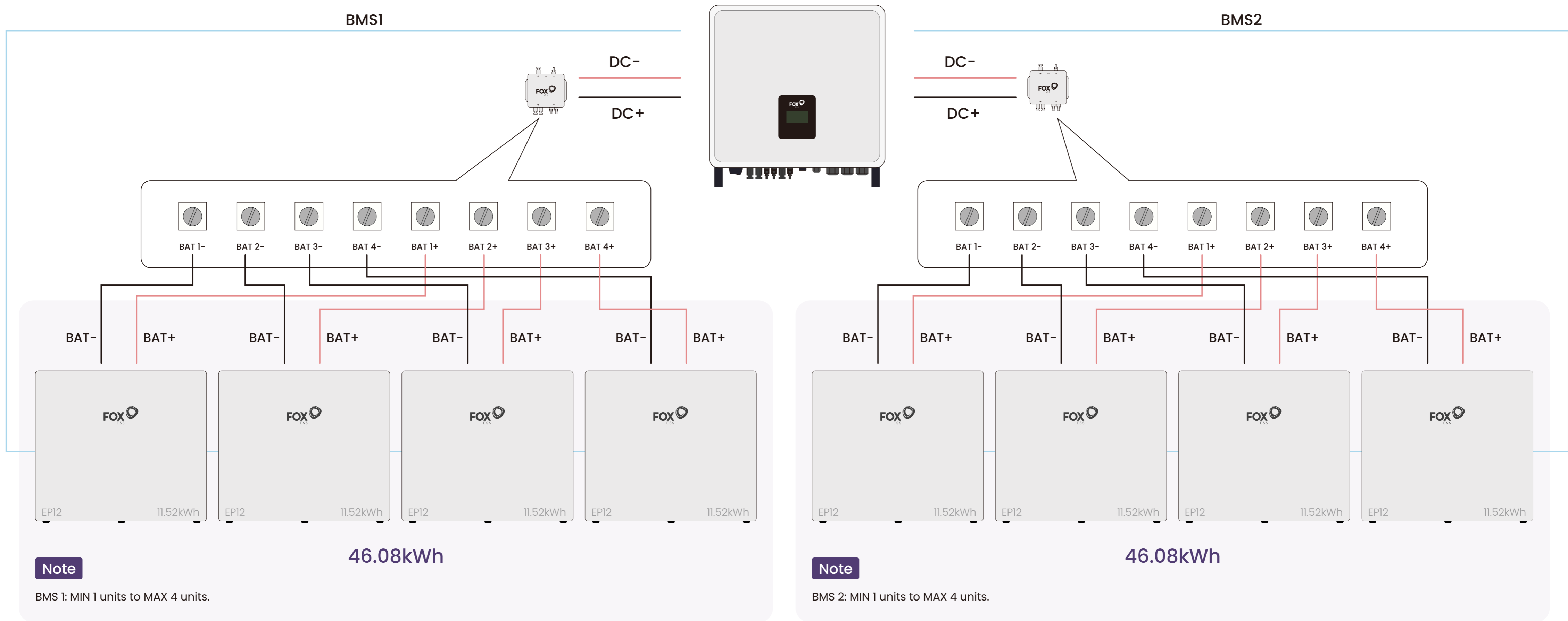




BMS



BMS



Note

BMS 1: MIN 1 units to MAX 4 units.

Note

BMS 2: MIN 1 units to MAX 4 units.

Parallel

Parallel



EPI2 Range (Max 30A charge/discharge):

Capacity	Inverter Rated Output Power	Inverter Max Charge/Discharge Current	EPI2 Range			
			1x EPI2	2x EPI2	3x EPI2	4 x EPI2
Battery Rated Charge/Discharge Power	-		11.52kWh	23.04kWh	34.56kWh	46.08kWh
			11.52kW	23.04kW	34.56kW	46.08kW
HI-3.0-E-G2 / ACI-3.0-E-G2	3kW	40A	Yes Max. 3kW	Yes Max. 3kW	Yes Max. 3kW	Yes Max. 3kW
HI-3.7-E-G2 / ACI-3.7-E-G2	3.7kW	40A	Yes Max. 3.7kW	Yes Max. 3.7kW	Yes Max. 3.7kW	Yes Max. 3.7kW
HI-4.6-E-G2 / ACI-4.6-E-G2	4.6kW	40A	Yes Max. 4.6kW	Yes Max. 4.6kW	Yes Max. 4.6kW	Yes Max. 4.6kW
HI-5.0-E-G2 / ACI-5.0-E-G2	3kW	40A	Yes Max. 5kW	Yes Max. 5kW	Yes Max. 5kW	Yes Max. 5kW
HI-6.0-E-G2 / ACI-6.0-E-G2	5kW	40A	Yes Max. 6kW	Yes Max. 6kW	Yes Max. 6kW	Yes Max. 6kW
KH7 / KA7	6kW	40A	Yes Max. 7kW	Yes Max. 7kW	Yes Max. 7kW	Yes Max. 7kW
KH8 / KA8	7kW	50A	Yes Max. 8kW	Yes Max. 8kW	Yes Max. 8kW	Yes Max. 8kW
KH9 / KA9	8kW	50A	Yes Max. 9kW	Yes Max. 9kW	Yes Max. 9kW	Yes Max. 9kW
KH9.9/KA9.9	9kW	50A	Yes Max. 10kW	Yes Max. 10kW	Yes Max. 10kW	Yes Max. 10kW
KH10 / KA10	10kW	50A	Yes Max. 10kW	Yes Max. 10kW	Yes Max. 10kW	Yes Max. 10kW
KH10.5/KA10.5	10.5kW	50A	Yes Max. 10.5kW	Yes Max. 10.5kW	Yes Max. 10.5kW	Yes Max. 10.5kW
H3-5.0-Smart	10kW	50A	Yes Max. 5kW	Yes Max. 5kW	Yes Max. 5kW	Yes Max. 5kW
H3-6.0-Smart	5kW	50A	Yes Max. 6kW	Yes Max. 6kW	Yes Max. 6kW	Yes Max. 6kW
H3-8.0-Smart	6kW	50A	Yes Max. 8kW	Yes Max. 8kW	Yes Max. 8kW	Yes Max. 8kW
H3-9.9-Smart	8kW	50A	Yes Max. 9.9kW	Yes Max. 9.9kW	Yes Max. 9.9kW	Yes Max. 9.9kW
H3-10.0-Smart	9.9kW	50A	Yes Max. 10kW	Yes Max. 10kW	Yes Max. 10kW	Yes Max. 10kW
H3-12.0-Smart	10kW	50A	Yes* Max. 11.52kW	Yes Max. 12kW	Yes Max. 12kW	Yes Max. 12kW
H3-15.0-Smart	12kW	50A	Yes* Max. 11.52kW	Yes Max. 15kW	Yes Max. 15kW	Yes Max. 15kW
H3-15.0-Pro	15kW	50A (One Battery Stack)	Yes* Max. 11.52kW	Yes Max. 15kW	Yes Max. 15kW	Yes Max. 15kW
		50A + 50A (Two Battery Stack)	Yes Max. 15kW	Yes Max. 15kW	Yes Max. 15kW	Yes Max. 15kW
H3-20.0-Pro	20kW	50A (One Battery Stack)	Yes* Max. 11.52kW	Yes Max. 20kW	Yes Max. 20kW	Yes Max. 20kW
		50A + 50A (Two Battery Stack)	Yes Max. 20kW	Yes Max. 20kW	Yes Max. 20kW	Yes Max. 20kW
H3-25.0-Pro	25kW	50A (One Battery Stack)	Yes* Max. 11.52kW	Yes* Max. 23.04kW	Yes Max. 25kW	Yes Max. 25kW
		50A + 50A (Two Battery Stack)	Yes Max. 25kW	Yes Max. 25kW	Yes Max. 25kW	Yes Max. 25kW
H3-29.9-Pro	29.9kW	50A (One Battery Stack)	Yes* Max. 10.368kW	Yes* Max. 23.04kW	Yes Max. 29.9kW	Yes Max. 29.9kW
		50A + 50A (Two Battery Stack)	Yes* Max. 20.72kW	Yes Max. 29.9kW	Yes Max. 29.9kW	Yes Max. 29.9kW
H3-30.0-Pro	30kW	50A (One Battery Stack)	Yes* Max. 10.368kW	Yes* Max. 20.72kW	Yes Max. 30kW	Yes Max. 30kW
		50A + 50A (Two Battery Stack)	Yes* Max. 20.72kW	Yes Max. 30kW	Yes Max. 30kW	Yes Max. 30kW

- No** Not permitted. Voltages are outside of inverters rated input limits. Please refer to inverter data sheets for more information.
- Yes*** Will supply kWh, but will not supply full power of inverter rated power from battery alone. The number quoted is maximum battery discharge. The surplus needs to come from PV. Please refer to battery data sheet for more information.
- Yes** 100% Compatible. Inverter can discharge at full rated output power.

Supplementary power:
The numbers stated are purely battery discharge/charge ratings (please refer to battery datasheets). If the battery power is insufficient, the power can be made up by PV generation to the inverters capacity. The PV is still the primary source to supply house loads during an outage or normal use, and any surplus will charge the battery if needed. If the power generated by PV is not required for battery charge, the inverter will derate to meet loads only in an outage, or be supplemented from the grid in normal use. Please refer to the product manuals for further information.

DC cable sizing:
EP series: minimum 6mm² (30A charge/discharge);
Battery cable crimping guide can be found separately, and appropriate standards and regulations must be followed.