

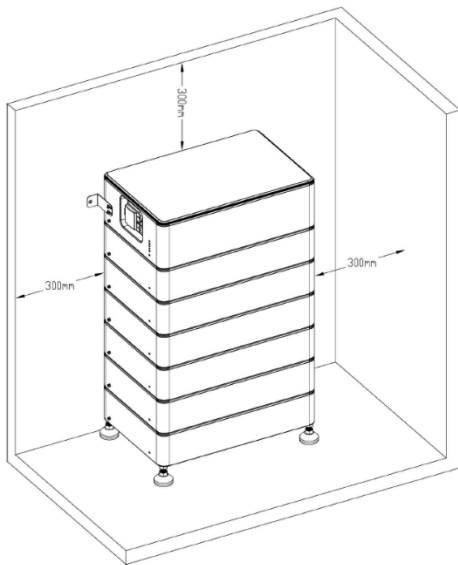
Tech Note- Batteries Installation Clearance Guideline

This guide outlines the required installation clearances for Fox ESS battery products. Batteries include pressure relief valves to mitigate explosion risks. Therefore, each batteries listed should follow their respective clearance for heat dispersion and pressure release purposes. Battery needs to be exposed to ambient air to ensure natural cooling. If batteries are fully or partially covered or obstructed, this may cause the battery pack to not operate.

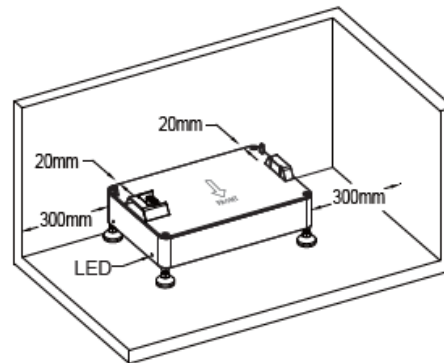
Installers are advised to ensure that all installations also need to comply with clearance requirements of applicable local regulations and relevant installation standards if any, including AS/NZS 5139:2019 etc.

EQ4800 Clearance

The pressure relief valve is at the back side of the battery; hence, the battery must be placed 20mm against the wall and make sure the Operating Status LED is on your left-hand side when you facing the battery model.

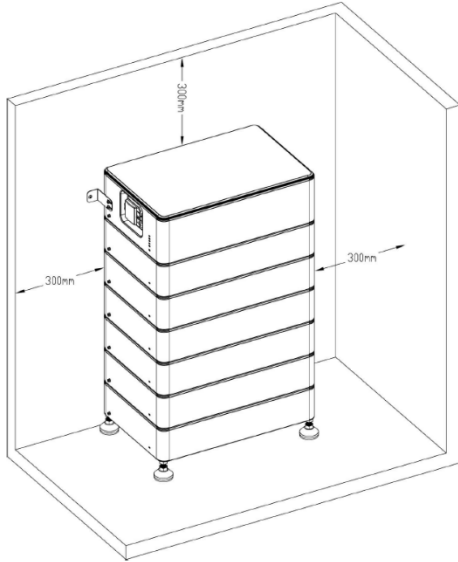


Position	Min Spacing
Left	300mm
Right	300mm
Top	300mm
Back	20mm

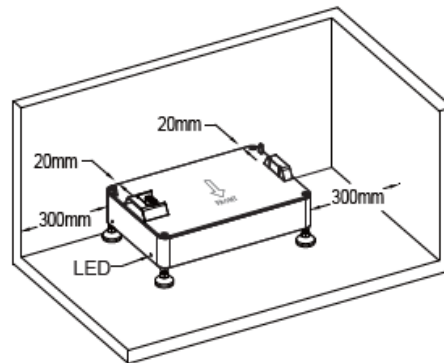


CQ6 Clearance

The pressure relief valve is at the back side of the battery; hence, the battery must be placed at a minimum 20mm against the wall and make sure the Operating Status LED is on your left-hand side when you facing the battery model.



Position	Min Spacing
Left	300mm
Right	300mm
Top	300mm
Back	20mm

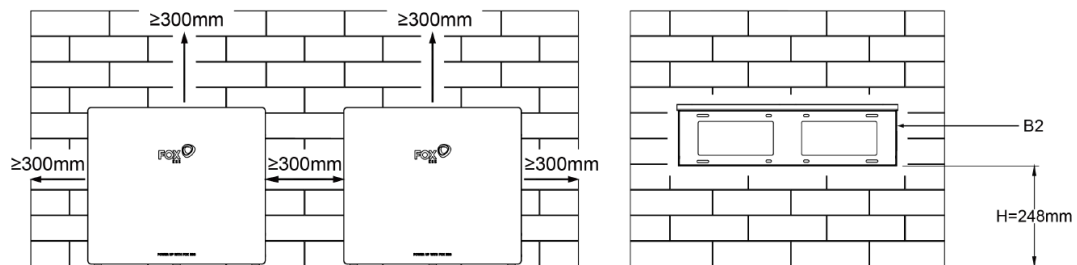


EP11 Clearance

Standing mounting:

Brackets height for standing mounting must be minimum 248mm from the bottom of the brackets to the floor.

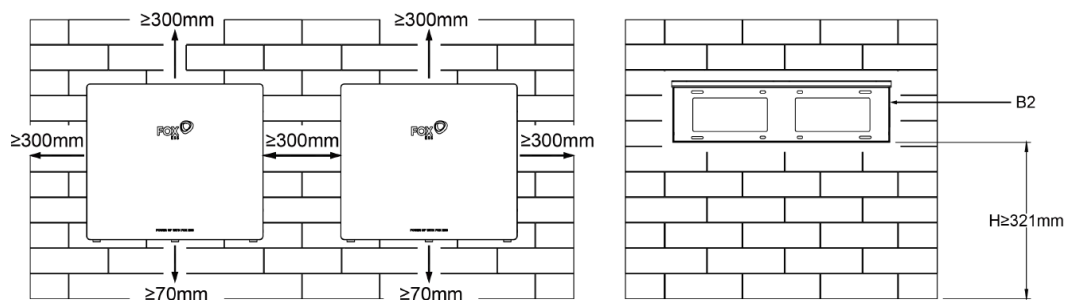
Position	Min Spacing
Left	≥300mm
Right	≥300mm
Top	≥300mm



Wall mounting:

Brackets height for wall mounting should be more than 321mm from the bottom of the brackets to the floor.

Position	Min Spacing
Left	≥300mm
Right	≥300mm
Top	≥300mm
Bottom	≥70mm



Date: 25 February 2026
Fox ESS Australia Pty Ltd



Leo Ye
Product Director of Australia

<https://au.fox-ess.com>

<https://www.foxausupport.com.au>

FOXESS AUSTRALIA PTY LTD

ABN: 31 641 059 841

53 Willow Avenue, Springvale VIC 3171, Australia

Ph: 1300 377 369